

DW-2030P Vent Valve Installation

Field Instruction Guide

Procedures

1. Unscrew the nut inside the red circle, as shown in Figure.1
2. Press the blue part of the connector in the red circle to separate the float flow meter from the pipeline below, as shown in Figure.2
3. Press the blue part in the red circle to separate the float flow meter from the pipeline, as shown in Figure.3
4. Screw out the yellow connector in the picture, as shown in Figure.4
5. Remove the fitting shown in the kit and wrap the thread seal tape around the threads, as shown in Figure.5
6. Screw the connector to the position shown in the picture, note that the side connector should be facing upwards vertically, as shown in Figure.6
7. Install the installed float flow meter back to the panel, pay attention to the need to connect the fittings to the original equipment piping, as shown in Figure.7
8. In accordance with the dimensions shown, punch a 6mm diameter hole in the panel, as shown in Figure.8
9. The lower part of the stainless-steel fastener is fixed to the panel with screws in the direction shown in the Figure 9
10. Use the matching hose to connect the exhaust valve to the line, as shown in Figure.10
11. Fix the upper part of the stainless-steel fastener part with screws and the lower part, so as to fix the exhaust valve, as shown in Figure.11
12. Installation is complete. OPEN THE EXHAUST PORT by turning the red cover at the top of the exhaust valve to the right, PRIOR TO ALLOWING WATER FLOW TO PANEL. As shown in Figure.12

Order Information

DW-2030P Vent Valve Installation Kit

P/N

50700-A54

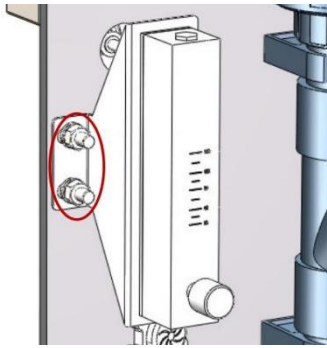


Figure. 1

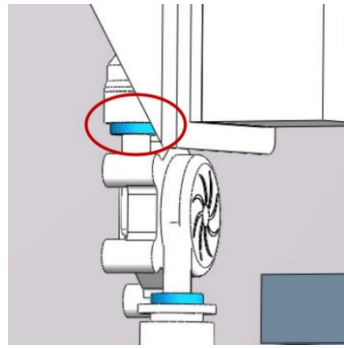


Figure. 2

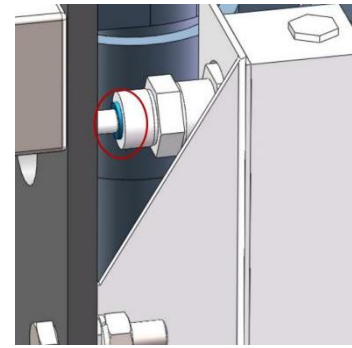


Figure. 3

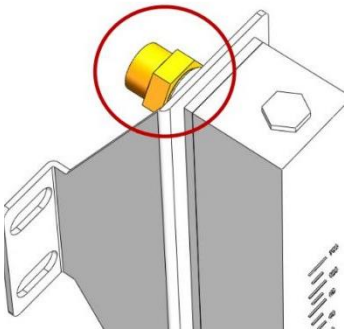


Figure. 4

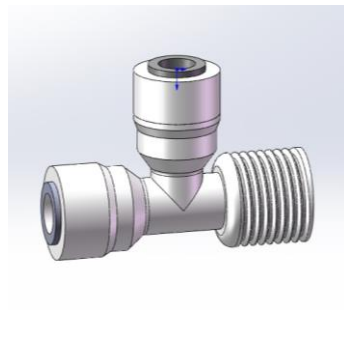


Figure. 5

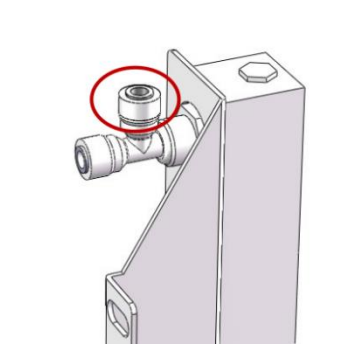


Figure. 6

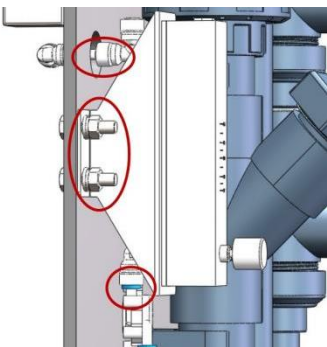


Figure. 7

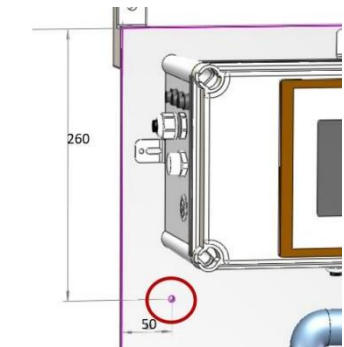


Figure. 8

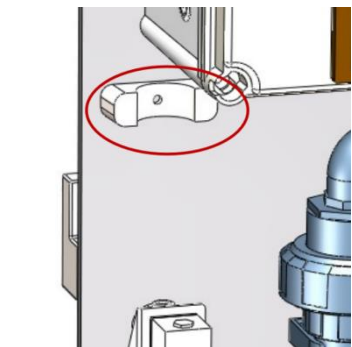


Figure. 9

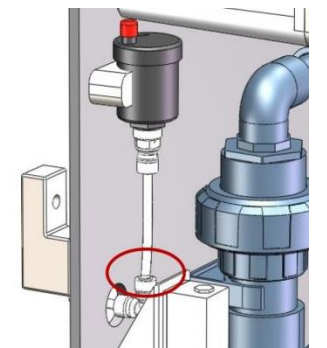


Figure. 10

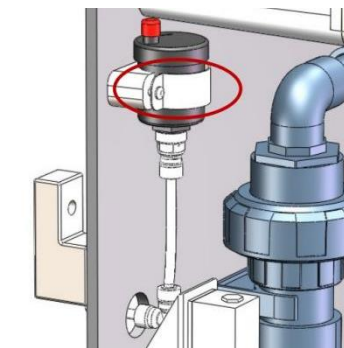


Figure. 11

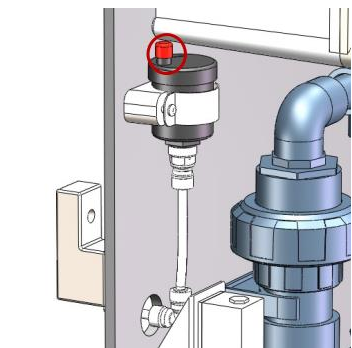


Figure. 12